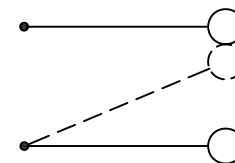
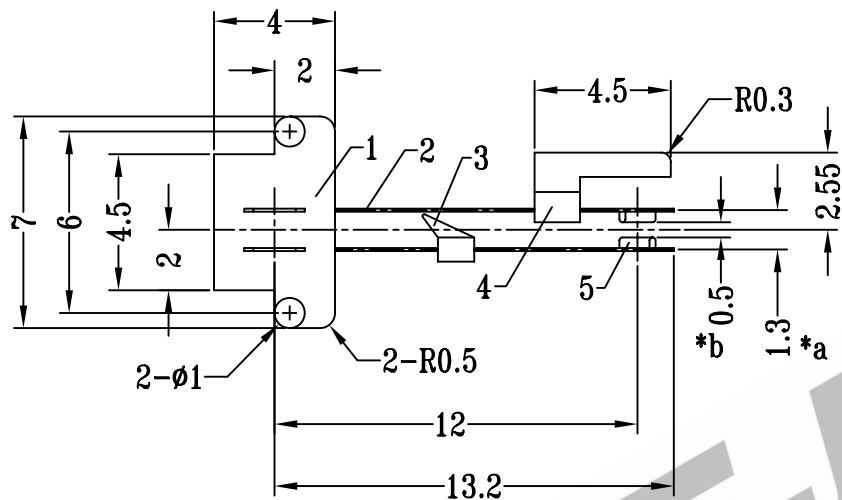
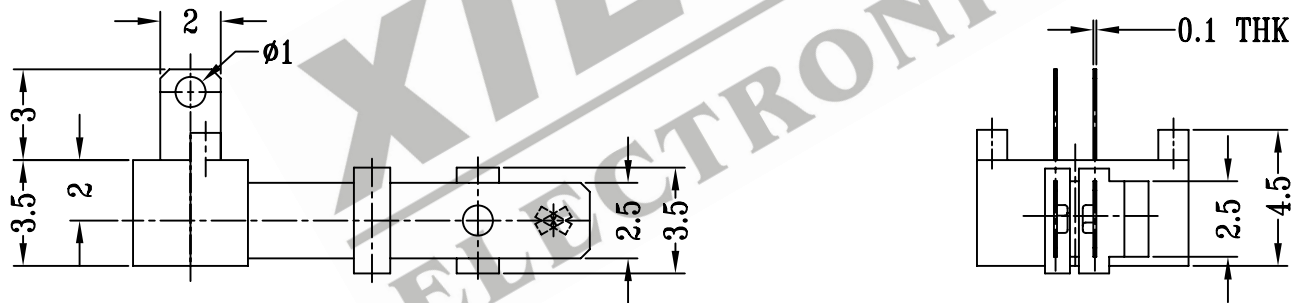


CAD FILE:



SCHEMATIC



注:带"*"表示关键尺寸(2个)

8					TOLERANCE UNLESS SPECIFIED	SHENZHEN XIEJIA ELECTRONICS CO.,LTD.				
7										
6					WITHIN: 1.5±0.1mm OVER : 1.5±0.2mm	ISSUE	DATE	DESCRIPTIONS OF REVISION		APPD.
5	CONTACT	SILVER	2	NATURAL						
4	KNOB	POM	1	BLACK	TITLE : LEAF SWITCH		UNIT : mm	DRWG NO.: XJ-DR-LF034-00		
3	POSITON PLATE	POM	1	BLACK						
2	SPRING PLATE	PBS STRIP	2	Ag PLATED	MODEL: LF-034		SCALE: 4:1	DWN.	ZHOUYU	2005-8-4
1	CASE	POM	1	BLACK				CHK'D	FANGYING	2005-8-4
NO.	PARTS	MATERIALS	Q'TY	FINISH	ALL MATERIALS MUST BE COMPLIANT TO ROHS			APPD.	KANGXINAN	2005-8-4